

Technical Support Bulletin 2014-07	5-Pin and 3-Pin COM Cable Wiring	October 31, 2014
------------------------------------	----------------------------------	------------------

Alert Level: **INFORMATIONAL**

Instruments: All Profilers and Samplers

Software Versions: N/A

Hardware Version: N/A

**Subject:** Correct COM Cable Wiring for 5-pin and 3-pin Connector Styles

**Summary:** Wiring diagrams provide correct wiring for the cable connecting the instrument controller to the computer.

**Technical Details:** The COM cables must be correctly wired for proper instrument communication. Older model McLane profilers and samplers use the 3-pin style connectors. More recent McLane profiler and sampler models use the 5-pin connector. The diagrams that follow show connections for both the CF2 and TT8 COM cables.

The wiring diagram for the Impulse RMG-3-FS to DB-9 and MCIL-5-MP to DB-9 is shown below. The pin numbering specified by Impulse is also shown for the mating bulkhead connector. There are no pin numbers printed on the connector itself.

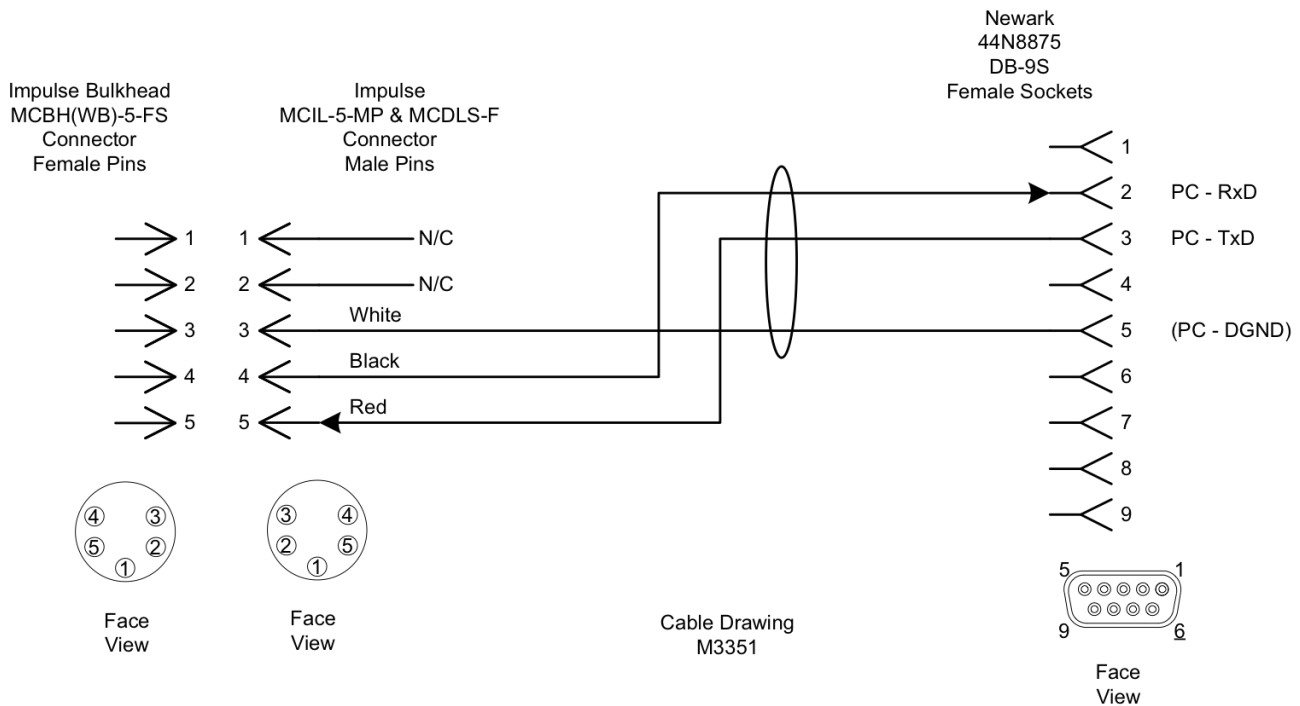


Figure 1: CF2 COM Connector Diagram (5-Pin)

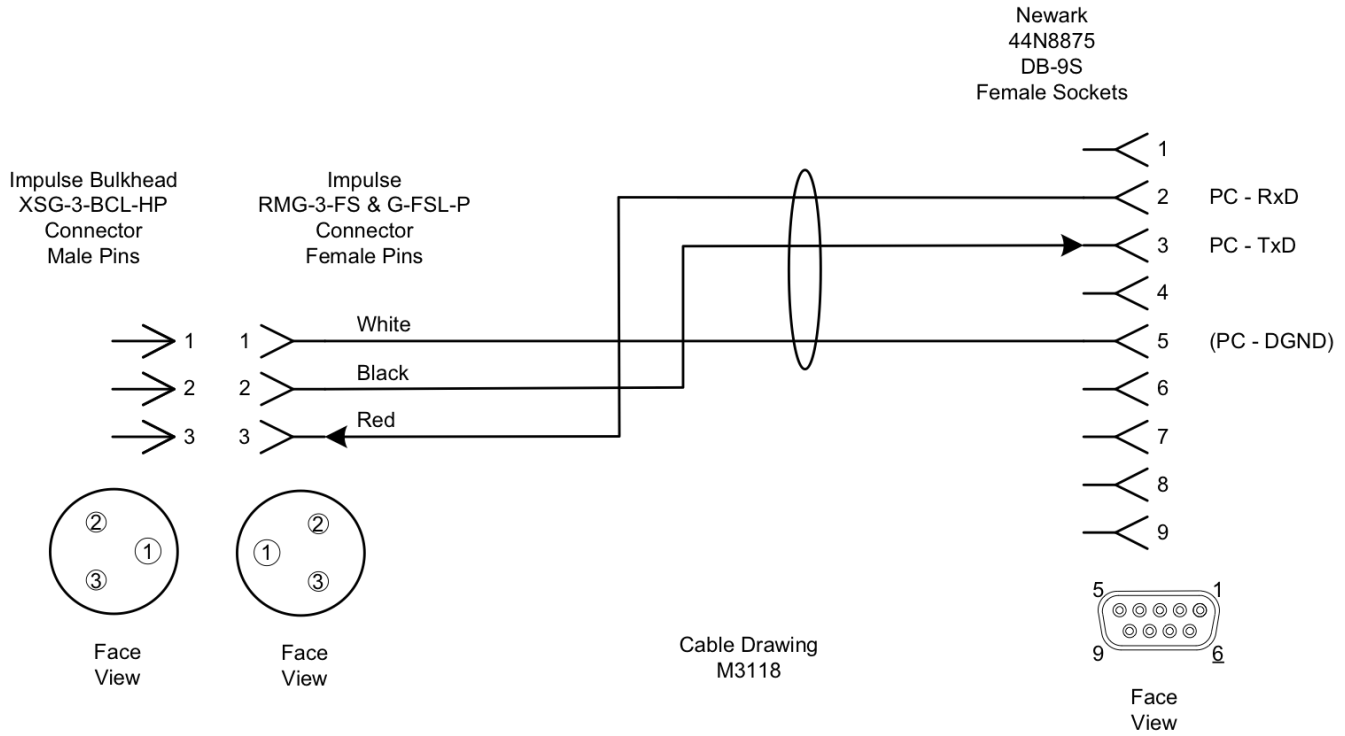


Figure 2: TT8 COM Connector Diagram (3-Pin)