

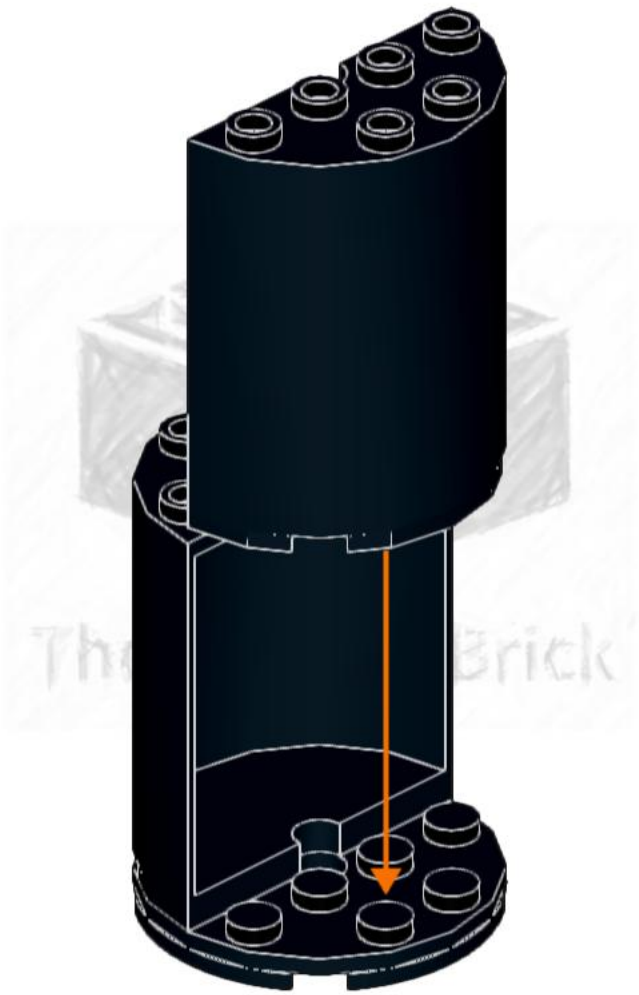
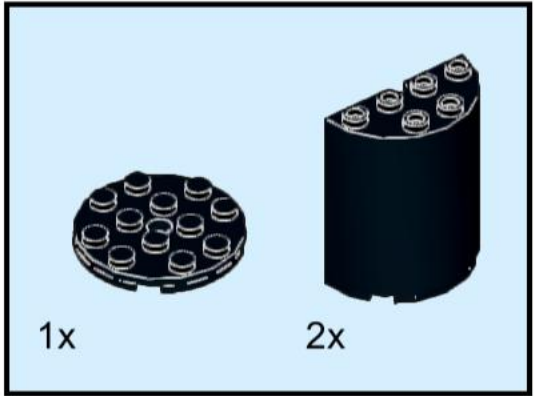


Imaging Flow Cytobot

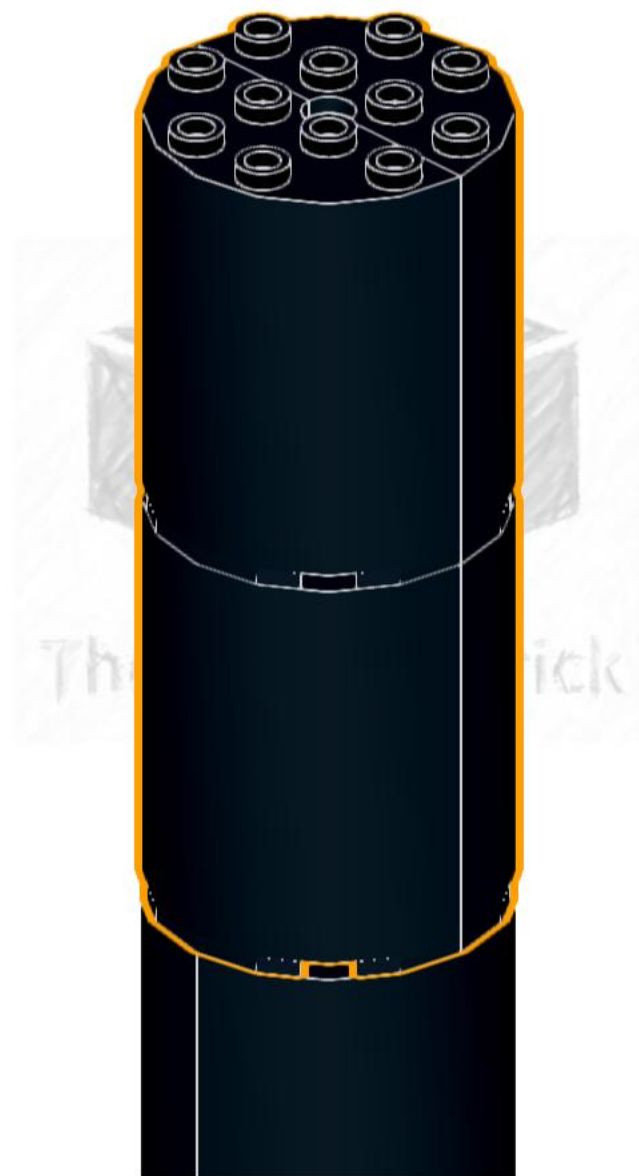
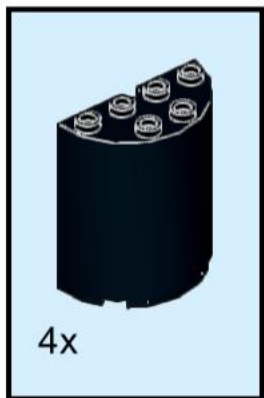
The Orange Brick



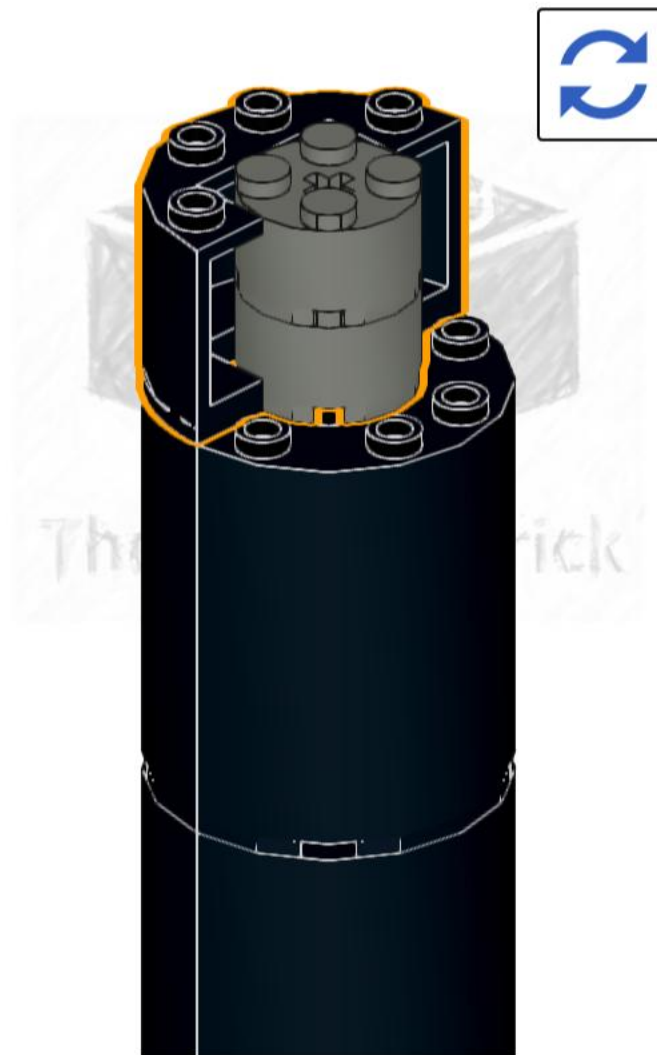
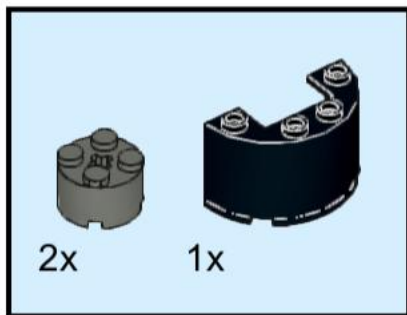
1



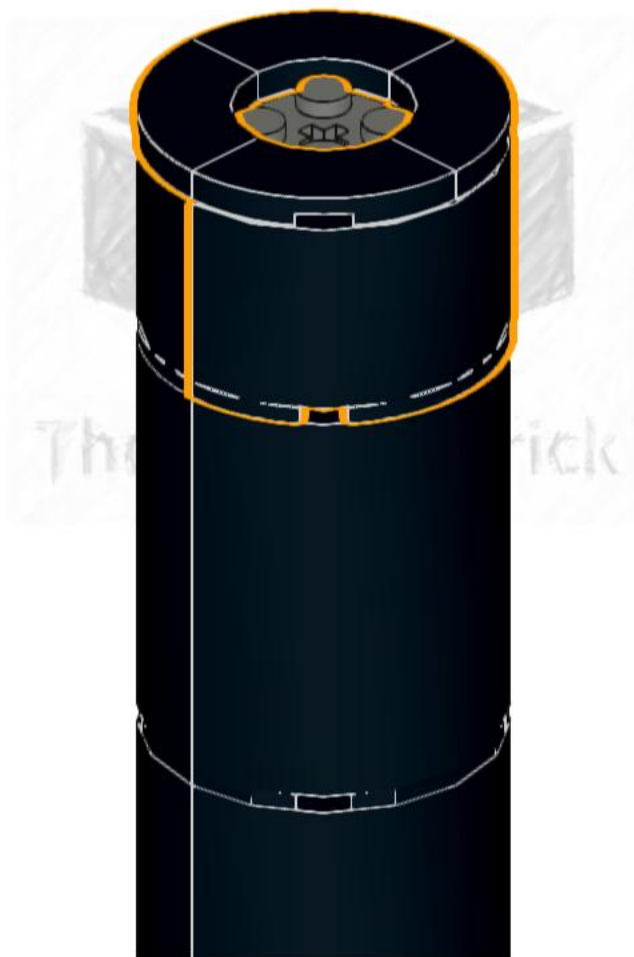
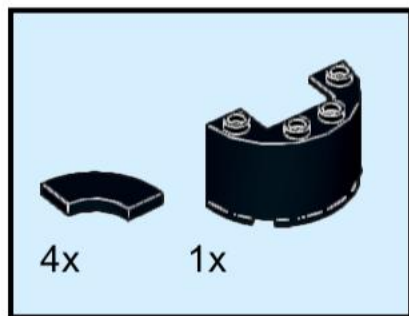
2



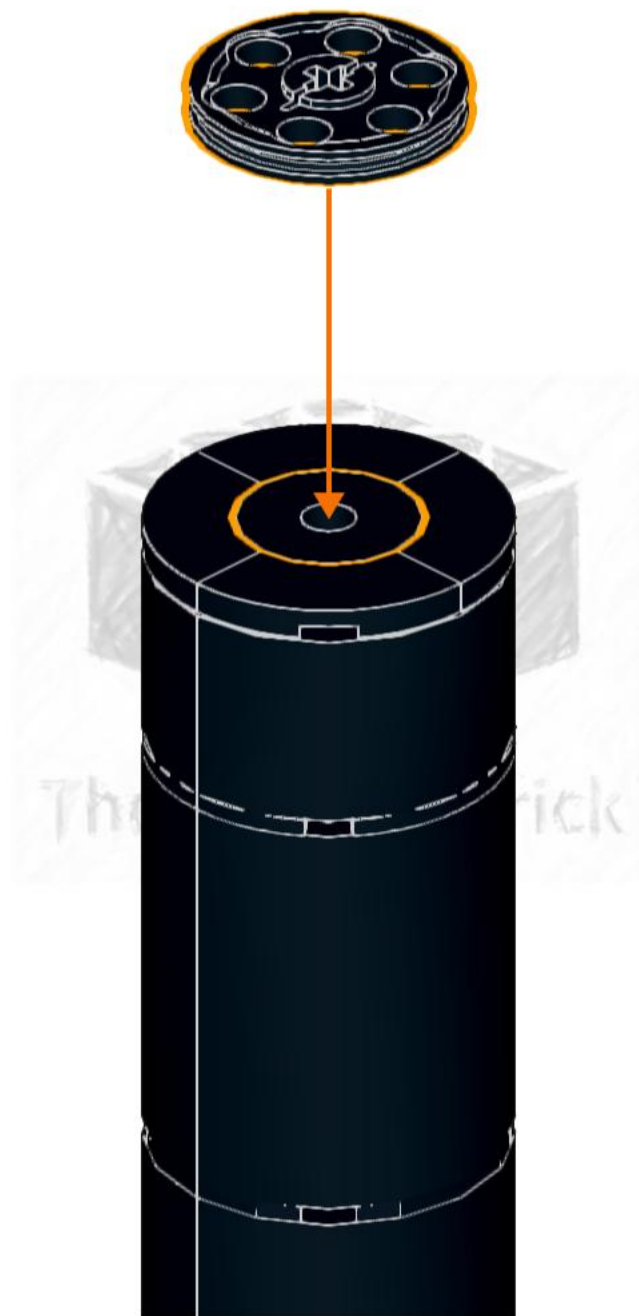
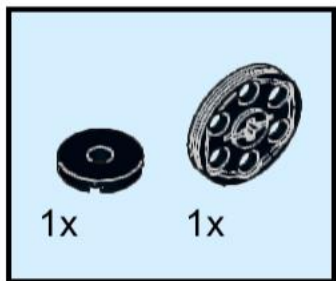
3



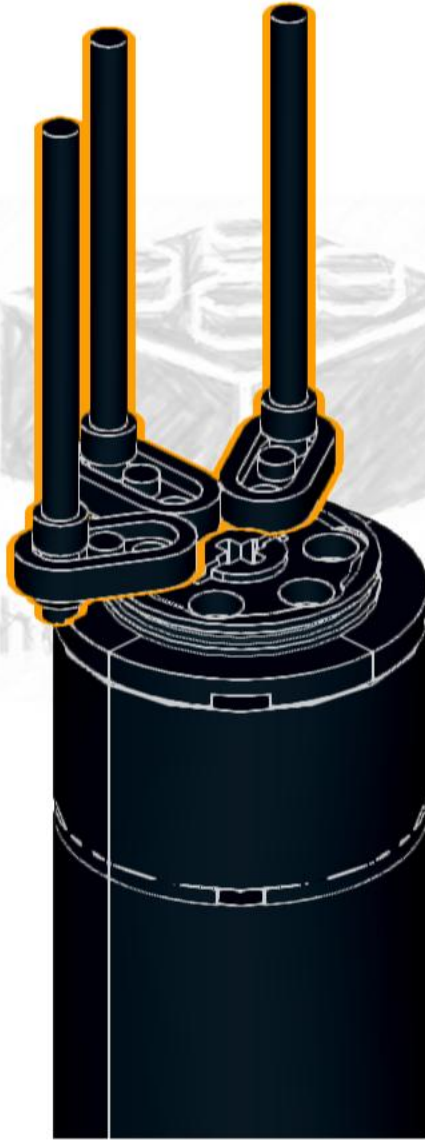
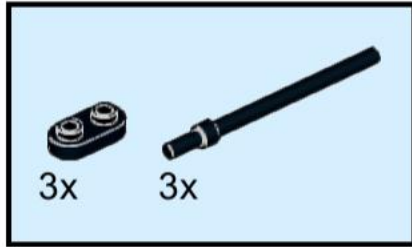
4



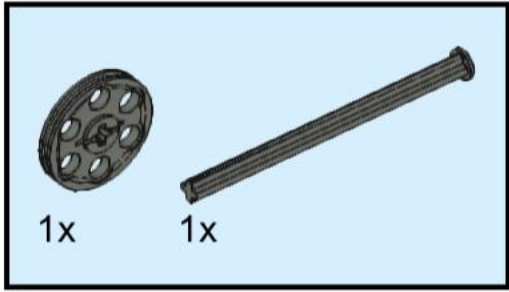
5



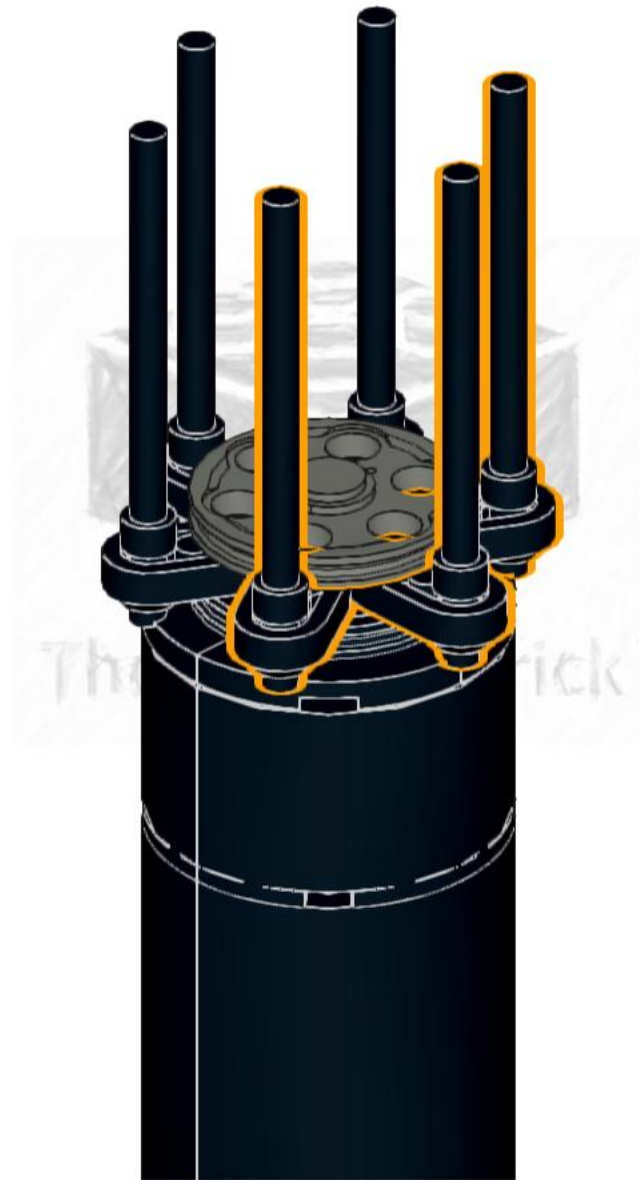
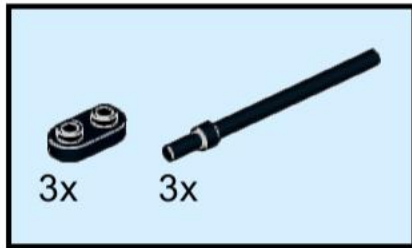
6



7



8



9



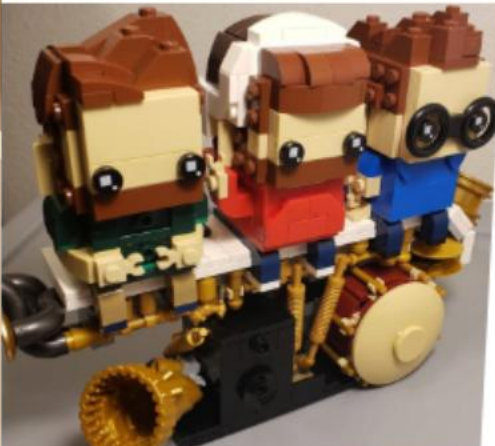
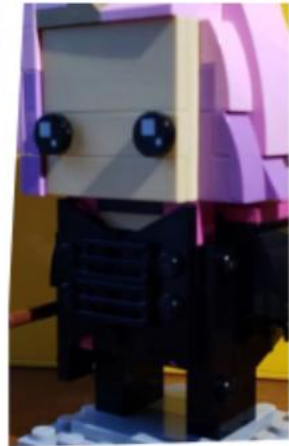
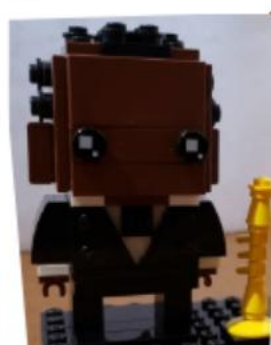
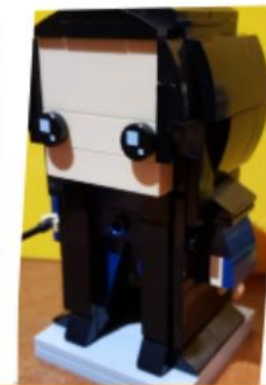
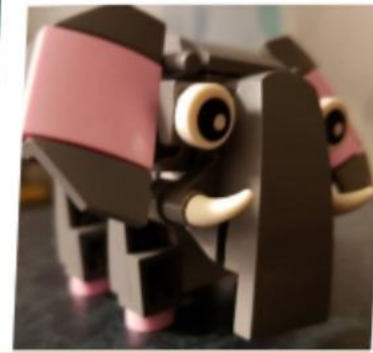
THANK YOU

FROM



The Orange Brick

*Custom commissioned
builds, instructions,
and prints*





12x
35480, 11



2x
24593, 11



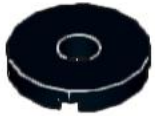
6x
6259, 11



1x
55013, 85



4x
27925, 11



1x
15535, 11



1x
60474, 11



2x
3941, 85



1x
4185, 11



6x
63965, 11



1x
4185, 85

